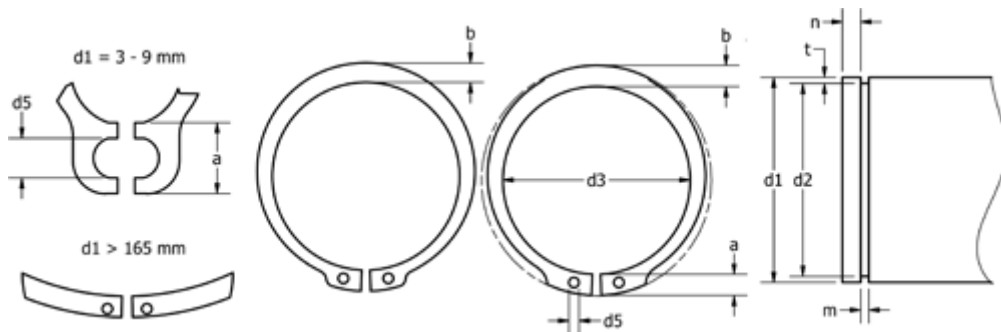


Article number: 0101093
 Description: Retaining ring A 90 DIN 471
 Spring steel
 Note: Fitted with ZGA pilers

Measures



| | | | | | |
|--------------------|---------|---------------|----------|----------------|--------------|
| a max | = 8.8 | FN kN | = 80.0 | s | = 3.00 |
| AN mm ² | = 485.0 | FRg kN | = 34.40 | t | = 1.75 |
| b | = 82.0 | FR kN | = 217.00 | tol | = -0.35 |
| d1 | = 90 | g | = 3.0 | tol | = -0.08 |
| d2 | = 86.5 | K kN-mm | = 401.00 | tol | = +0,54-1,30 |
| d3 | = 84.5 | m min | = 3.15 | Tong | = ZGA-4 |
| d5 min | = 3.5 | n abl x 1000 | = 5.0 | Weight kg/1000 | = 44.500 |
| Description | = A90 | Nominal drive | = 5.3 | | |